



# INTERPUMPGROUP

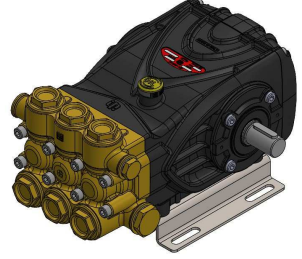
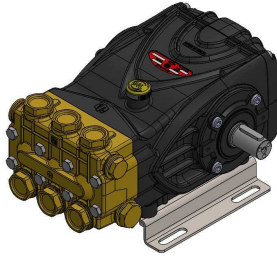
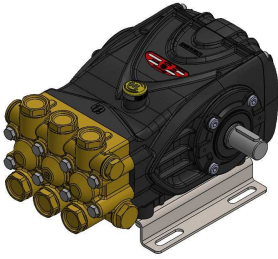
I  
GB  
F

**ISTRUZIONI D'USO**  
**INSTRUCTIONS FOR USE**  
**MODE D'EMPLOI**

D  
E  
P

**BEDIENUNGSANLEITUNG**  
**INSTRUCCIONES DE USO**  
**INSTRUÇÕES DE USO**

Questo manuale deve essere letto e compreso in accordo al libretto generico "Istruzioni d'uso e manutenzione".  
This manual must be read and followed in accordance with the generic "Instructions for Use and Maintenance" booklet.  
Ce manuel doit être lu et compris en accord avec la notice générale " Mode d'emploi et d'entretien ".  
Dieses Handbuch ist in Verbindung mit dem allgemeinen Handbuch "Gebrauchs- und Wartungsanleitung" zu lesen und zu verstehen.  
Este manual debe leerse y comprenderse de acuerdo con el manual general "Instrucciones de uso y mantenimiento"  
Este manual deve ser lido e interpretado de acordo com o livro genérico "Instruções de uso e manutenção"



47


**S  
E  
R  
I  
E  
S**

Modello Model Modèle Modell Modelo	Portata Flow rate Débit Förderstrom Caudal Flujo		Pressione Pressure Pression Druck Presión Pressão			g/m rpm t/m upm r/m	Potenza Power Puissance Leistung Potencia Poder		Peso Weight Poids Gewicht Peso Peso		
	l/min	gpm	bar	MPa	psi		Hp	kW	Kg	Ibs	
W131 (*)	15	3.96	130	13	1885	1000	5.5	4.04	14.5	31.9	1.1
W151 (*)	15	3.96	150	15	2175	1000	5.5	4.04	14.5	31.9	1.1
W201 (*)	15	3.96	200	20	2900	1000	7.5	5.51	14.5	31.9	1.1
W132 (*)	18	4.75	130	13	1885	1000	5.5	4.04	14.5	31.9	1.1
W162 (*)	18	4.75	160	16	2320	1000	7.5	5.51	14.5	31.9	1.1
WS171	13	3.43	170	17	2465	1450	5.5	4.04	14.5	31.9	1.1
WS131	15	3.96	130	13	1885	1450	5.5	4.04	14.5	31.9	1.1
WS151	15	3.96	150	15	2175	1450	5.5	4.04	14.5	31.9	1.1
WS201	15	3.96	200	20	2900	1450	7.5	5.51	14.5	31.9	1.1
WS162	18	4.75	160	16	2320	1450	7.5	5.51	14.5	31.9	1.1
WS132	18.7	4.94	120	12	1750	1450	5.5	4.04	14.5	31.9	1.1
WS102	21	5.55	100	10	1450	1450	5.5	4.04	14.5	31.9	1.1
WS152	21	5.55	150	15	2175	1450	7.5	5.51	14.5	31.9	1.1
WS202	21	5.55	200	20	2900	1450	10.0	7.35	14.5	31.9	1.1
WS1625	25	6.60	160	16	2320	1450	10.5	7.72	15.0	33.0	1.1
WS1630	30	7.92	160	16	2320	1450	12.5	9.20	15.0	33.0	1.1
WS1036	36	9.51	100	10	1450	1450	9.4	6.90	15.0	33.0	1.1
WS1040	40	10.56	100	10	1450	1450	10.4	7.65	15.0	33.0	1.1

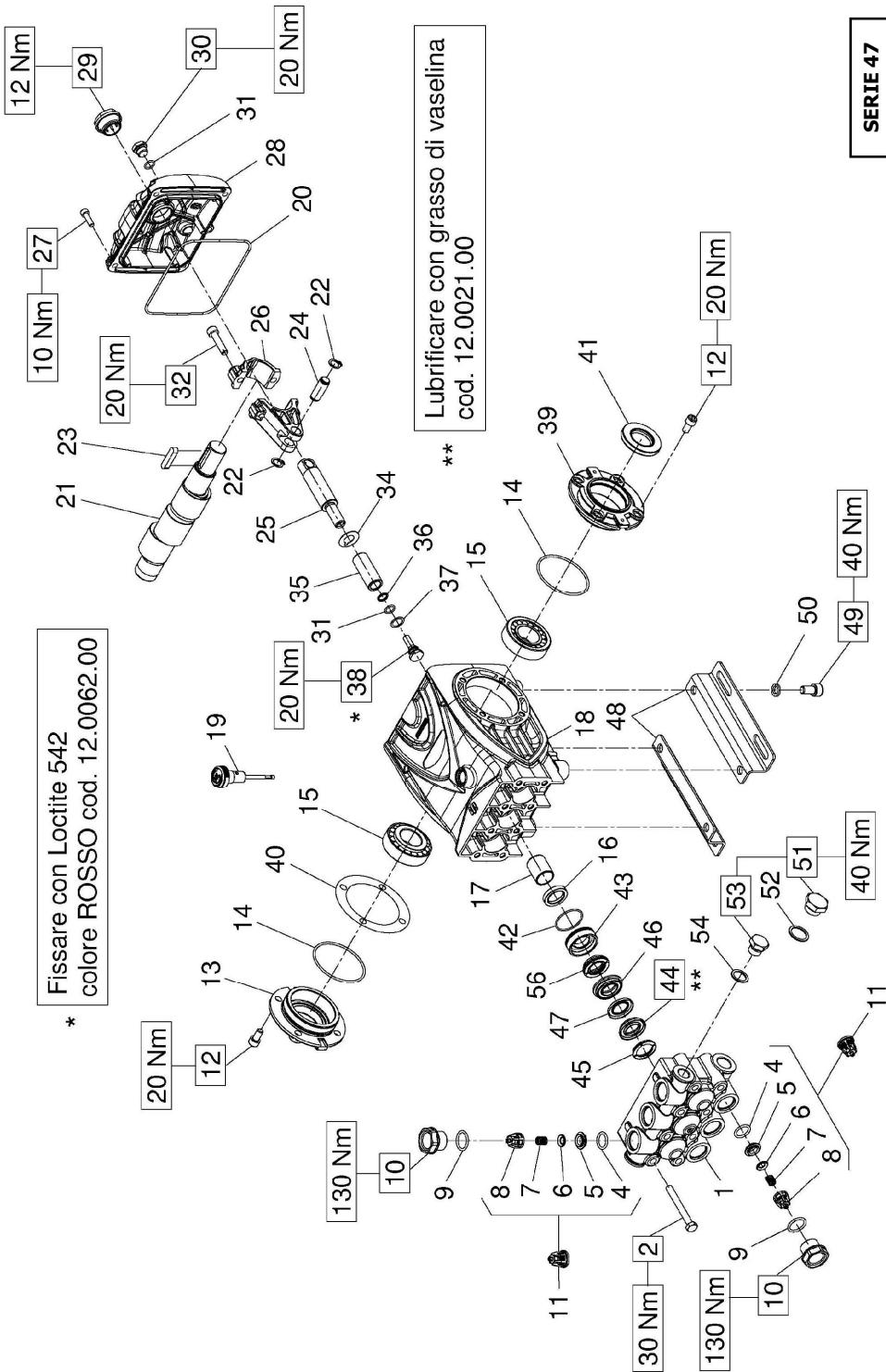
(\*) - DISPONIBILE ANCHE CON SINGOLA PRESA DI FORZA  
(\*) - DISPONIBLE MÊME AVEC SEULE PRISE DE FORCE  
(\*) - DISPONIBLE TAMBIÉN CON ÚNICA TOMADO DE FUERZA

(\*) - AVAILABLE ALSO WITH SINGLE POWER TAKE OFF  
(\*) - VORHANDEN AUCH MIT DEM EINZELNER GENOMMEN VON DER KRAFT  
(\*) - DISPONÍVEL TAMBÉM COM O ÚNICA FEITO EXAME DA FORÇA



Modello Model Modèle Modell Modelo	Portata Flow rate Débit Förderstrom Caudal Fluxo		Pressione Pressure Pression Druck Presión Pressão			g/mrp m t/m upm r/m r/m	Potenza Power Puissance Leistung Potencia Poder		Peso Weight Poids Gewicht Peso Peso		
	l/min	gpm	bar	MPa	psi		Hp	kW	Kg	Ibs	
W921	15	3.96	200	20	2900	1750	7.5	5.51	14.5	31.9	1.1
W928 T9281	15	3.96	275	27.5	4000	1750	11.0	8.08	14.5	31.9	1.1
W916	18	4.75	160	16	2320	1750	7.5	5.51	14.5	31.9	1.1
W914	21	5.55	100	10	1450	1750	5.5	4.04	14.5	31.9	1.1
W922	21	5.55	200	20	2900	1750	10.0	7.35	14.5	31.9	1.1
TS1636	36	9.51	160	16	2320	1750	15.0	11.02	15.0	33.0	1.1
TS1630	30	7.92	160	16	2320	1750	12.5	9.20	15.0	33.0	1.1
TS1044	44	11.62	100	10	1450	1750	11.4	8.38	15.0	33.0	1.1
TS1050	50	13.21	100	10	1450	1750	13.0	9.56	15.0	33.0	1.1







**KIT RICAMBI - SPARE KITS**

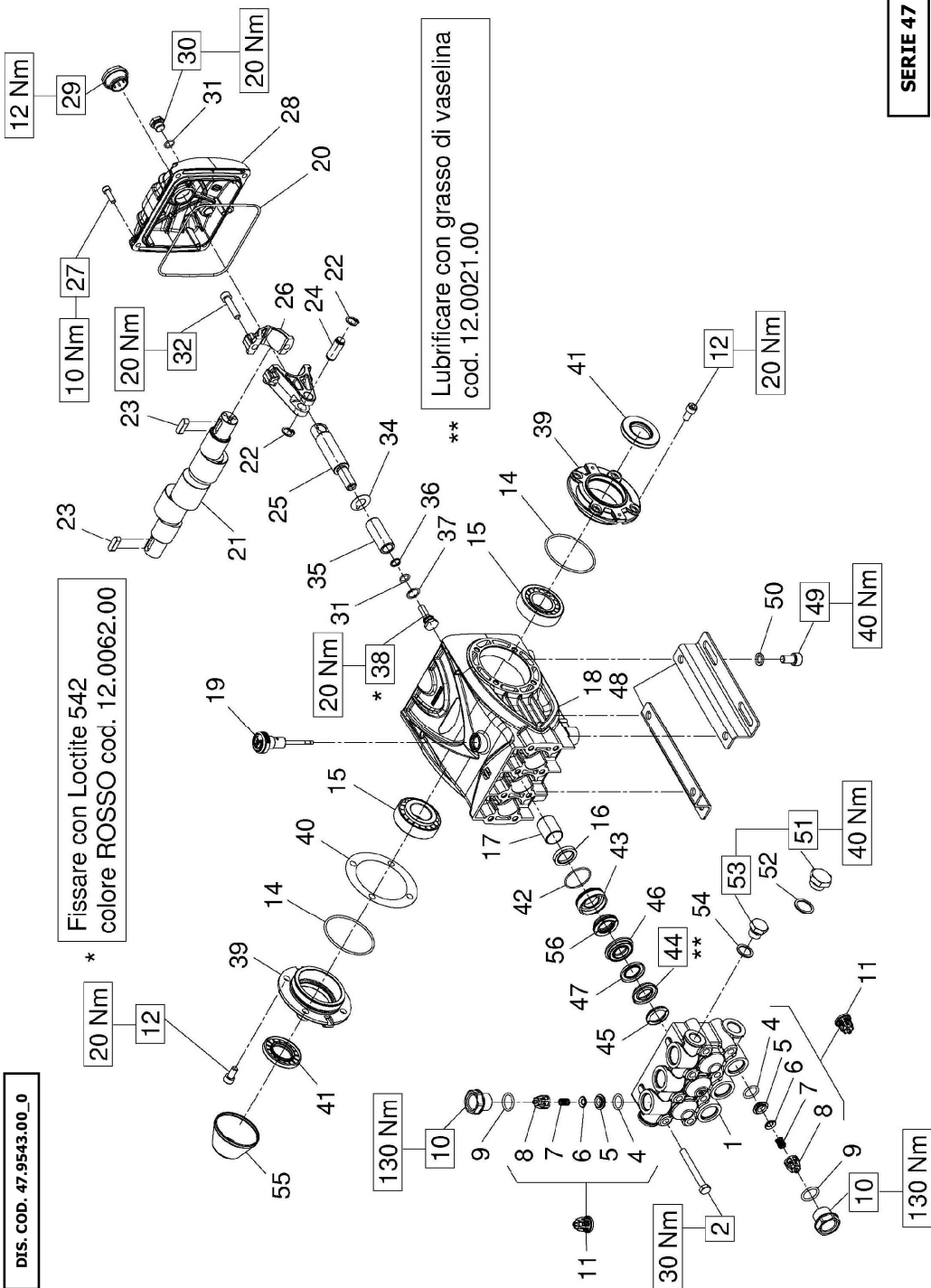
OTTONE BRASS				NICKEL				PISTONE - PISTON D. 20				PISTONE - PISTON D. 22			
KIT N°	KIT 1	KIT 2	KIT 3	KIT 4	KIT 5	KIT 7	KIT 10	KIT 28	KIT 69	KIT 71	KIT 11	KIT 14	KIT 29	KIT 148	KIT 149
W131 W132 W151 W162 W201 WS102 WS131 WS151 WS171 WS201 W916 WS152 WS202 W921 W914 W922 WS162 WS132	4-5 6-7 8 (11)	16	41	31-34 36-37 38	9-10	45	42-43 44-45 46-47 56	42-43 44-45 46-47 56	44-47 56	46-47	45	42-43 44-45 46-47 56	42-43 44-45 46-47 56	44-47 56	46-47
Nr. Pcs.	6	3	2	3	6	6	3	1	3	3	6	3	1	3	3

PISTONE - PISTON D. 20		PISTONE - PISTON D. 22	
OTTONE BRASS	W131 W151 WS102 WS131 WS151 WS171 W914	W132 WS132	
NICKEL	W201 WS201 W916 WS152 WS202 W921 W922	W162 WS162	

POS	COD.	DESCRIZIONE - DESCRIPTION - KIT	NR
1	47.1201.41 47.1202.41	Testata pompa D. 20-22 OT Testata pompa D. 20-22 NIK	1
2	99.3206.00	Vite M8x70 UNI 5737	8
4	90.3841.00	OR D. 17.13x2.62 NBR 705H 3068	1
5	36.2003.66	Sede valvola	1
6	36.2001.76	Valvola sferica	1
7	94.7376.00	Molla Dm. 9.4x14.8	1
8	36.2002.51	Guida valvola	1
9	90.3847.00	OR D. 20.29x2.62 NBR 905H 3081	4
10	98.2220.00 98.2222.00	Tappo M24x2x16.5 OT Tappo M24x2x16.5 NIK	4 5
11	36.7032.01	Gr. valvola aspirazione e mandata	1
12	99.3039.00	Vite M8x16 UNI 5931	8
13	47.1511.22	Coperchio laterale	1
14	90.3913.00	OR D. 67.95x2.62 NBR 705H 3268	2
15	91.8375.00	Cuscinetto a rulli	2
16	90.1625.00	Anello rad. D. 22.0x32.0x2.5	2
17	90.9126.00	Boccola D. 22.0x25.0x30.0	3
18	47.0108.22	Carter pompa	1
19	98.2106.00	Asta livello olio G 3/8x64 D. 4	1
20	90.3922.00	OR D.133.02x2.62 NBR 705H 3525	1

POS	COD.	DESCRIZIONE - DESCRIPTION - KIT	NR
21	47.0219.35 47.0218.35	Albero ecc. C. 10.0 - W921 WS171 Albero ecc. C. 12.0 - WS151 WS201 W916 WS131 WS162 WS132	1
22	90.0557.00	Anello arresto A12 UNI 7435	6
23	91.4892.00	Linguetta 8.0x7.0x35.0 UNI 6604	1
24	97.7380.00	Spinotto D. 13.0x35.0	3
25	47.0504.66	Guida pistone	3
26	47.0300.01	Biella completa	3
27	99.1884.00	Vite M6x20 UNI 5931	5
28	47.1606.22	Coperchio posteriore	1
29	47.2213.01	Spia livello olio G 3/4"	1
30	98.2042.50	Tappo G.1/8x9.0	1
31	90.3585.00	OR D. 10.82x1.78 NBR 705H 2043	6
32	99.3099.00	Vite M8x35 UNI 5931	6
34	96.7286.00	Rosetta d. 14.0x28.0x0.5	6
35	47.0404.09 47.0405.09	Pistone D. 20x50 Pistone D. 22x50	3
36	90.5067.00	Anello antist. D. 11.0x14.0x1.5	6
37	96.7280.00	Rosetta D. 14.0x18.5x0.5	6
38	47.2195.66	Vite fissaggio pistone	6
39	47.1510.22	Coperchio laterale lato PTO	1
40	97.5678.00 97.5680.00	Spessore D. 74.5x104.0x0.1 Spessore D. 74.5x104.0x0.3	-
41	90.1648.00	Anello rad. D. 30.0x55.0x7.0	3
42	90.3616.00	OR D. 34.65x1.78 NBR 705H 2137 10.14 28.29	3
43	47.0805.70 47.0806.70	Anello di fondo D. 20 Anello di fondo D. 22	10 28 14 29

POS	COD.	DESCRIZIONE - DESCRIPTION - KIT	NR
44	90.2705.00	Anello ten. alt. D. 20.0x35.0x7.5 HP	28 69 3
45	47.1000.51 46.1000.51	Anello ten. alt. D. 22.0x35.0x7.0 HP	29 148 3
46	47.2169.70 47.2170.70	Anello di testa D. 20 Anello di testa D. 22	7 28 11 29
47	90.2704.00 90.2730.00	Anello intermedio D. 20 Anello intermedio D. 22	28 71 29 149
48	47.2000.74	Anello RESTOP D. 20.0x35.0x5.5/2.0 Anello RESTOP D. 22.0x35.0x5.5/2.0	28 69 71 29 148 149
49	99.3644.00	Piede pompa	2
50	96.7106.00	Vite M10x18 UNI 5931	4
51	98.2176.00	Rosetta D. 10.2x16.0x2.5	4
52	96.7514.00	Tappo G.1/2x10	1
53	98.2100.00	Tappo G. 3/8x13	1
54	96.7380.00	Rosetta D. 17.5x23.0x1.5	1
56	90.2710.00 90.2728.00	Anello ten. alt. D. 20.0x35.0x8.7 LP Anello ten. alt. D. 22.0x35.0x8.8 LP	28 69 29 148



**KIT RICAMBI - SPARE KITS**

**W131 W132 W151  
W162 W201**

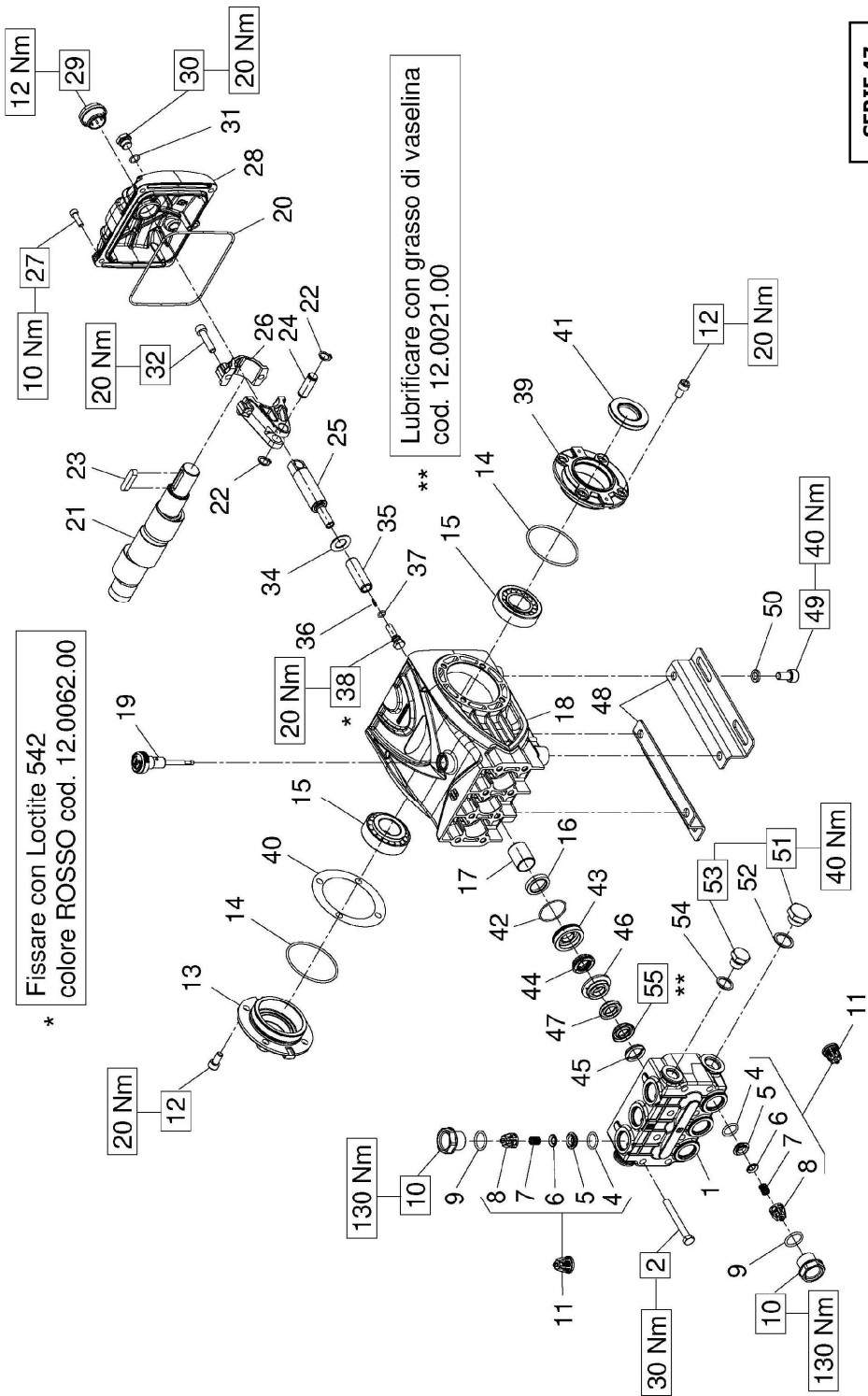
KIT N°.	KIT 1	KIT 2	KIT 3	KIT 6	KIT 4	NICKEL	PISTONE - PISTON D. 20					PISTONE - PISTON D. 22				
							KIT 7	KIT 10	KIT 28	KIT 69	KIT 71	KIT 11	KIT 14	KIT 29	KIT 148	KIT 149
	4-5 6-7 8 (11)	16	41	31-34 36-37 38	9-10	9-10	45	42-43 44-45 46-47 56	44-47 56	46-47	45	42-43 44-45 46-47 56	42-43 44-45 46-47 56	44-47 56	46-47	
Nr. Pcs.	6	3	2	3	6	6	6	3	3	1	3	3	6	3	3	

PISTONE - PISTON D. 20		PISTONE - PISTON D. 22	
OTTONE BRASS	W131 W151	W132	
NICKEL	W201	W162	

POS	COD.	DESCRIZIONE - DESCRIPTION - KIT	NR
1	47.1201.41 47.1202.41	Testata pompa D. 20-22 OT Testata pompa D. 20-22 NK	1
2	99.3206.00	Vite M8x70 UNI 5737	8
4	90.3841.00	OR D. 17.13x2.62 NBR 70SH 3068	1
5	36.2003.66	Sede valvola	1
6	36.2001.76	Valvola sferica	1
7	94.7376.00	Molla Dm. 9.4x14.8	1
8	36.2002.51	Guida valvola	1
9	90.3847.00	OR D. 20.29x2.62 NBR 90SH 3081	4
10	98.2220.00 98.2222.00	Tappo M24x2x16.5 OT Tappo M24x2x16.5 NK	5 4
11	36.7032.01	Gr. valvola aspirazione e mandata	1
12	99.3039.00	Vite M8x16 UNI 5931	8
14	90.3913.00	OR D. 67.95x2.62 NBR 70SH 3268	2
15	91.8375.00	Cuscinetto a rulli	2
16	90.1625.00	Anello rad. D. 22.0x32.0x2.5	2
17	90.9126.00	Boccola D. 22.0x25.0x30.0	3
18	47.0108.22	Carta pompa	1
19	98.2106.00	Asta livello olio G 3/8x64 D. 4	1
20	90.3922.00	OR D. 133.02x2.62 NBR 70SH 3525	1
21	47.0200.35	Albero ecc. C. 16.0	1

POS	COD.	DESCRIZIONE - DESCRIPTION - KIT	NR
22	90.0557.00	Anello arresto A12 UNI 7435	6
23	91.4877.00	Linguetta 8.0x7.0x25.0 UNI 6604	2
24	97.7380.00	Spinotto D. 13.0x35.0	3
25	47.0504.66	Guida pistone	3
26	47.0300.01	Biella completa	3
27	99.1884.00	Vite M6x20 UNI 5931	5
28	47.1606.22	Coperchio posteriore	1
29	47.2213.01	Spia livello olio G 3/4"	1
30	98.2042.50	Tappo G. 1/4x9.0	1
31	90.3585.00	OR D. 10.82x1.78 NBR 70SH 2043	6
32	99.3099.00	Vite M8x35 UNI 5931	6
34	96.7286.00	Rosetta d. 14.0x28.0x0.5	6
35	47.0404.09 47.0405.09	Pistone D. 20x50 Pistone D. 22x50	3
36	90.5067.00	Anello antiest. D. 11.0x14.0x1.5	6
37	96.7280.00	Rosetta D. 14.0x18.5x0.5	6
38	47.2195.66	Vite fileaaggio pistone	6
39	47.1510.22	Coperchio laterale lato PTO	2
40	97.5678.00 97.5680.00	Spessore D. 74.5x104.0x0.1 Spessore D. 74.5x104.0x0.3	-
41	90.1648.00	Anello rad. D. 30.0x55.0x7.0	3
42	90.3616.00	OR D. 34.65x1.78 NBR 70SH 2137 10 14 28 29	3
43	47.0805.70 47.0806.70	Anello di fondo D. 20 Anello di fondo D. 22	10 28 14 29

POS	COD.	DESCRIZIONE - DESCRIPTION - KIT	NR
44	90.2725.00	Anello ten. alt. D. 22.0x35.0x7.0 HP 28 69	3
45	47.1000.51 46.1000.51	Anello di testa D. 20 Anello di testa D. 22	7 28 11 29
46	47.2169.70 47.2170.70	Anello intermedio D. 20 Anello intermedio D. 22	28 71 29 149
47	90.2704.00 90.2730.00	Anello RESTOP D. 20.0x35.0x5.5/2.0 Anello RESTOP D. 22.0x35.0x5.5/2.0	28 69 71 29 148 149
48	47.2000.74	Piede pompa	2
49	99.3644.00	Vite M10x18 UNI 5931	4
50	96.7106.00	Rosetta D. 10.2x16.0x2.5	4
51	98.2176.00	Tappo G. 1/2x10	1
52	96.7514.00	Rosetta D. 21.5x27.0x1.5	1
53	98.2100.00	Tappo G 3/8x13	1
54	96.7380.00	Rosetta D. 17.5x23.0x1.5	1
55	47.2124.51	Cappello protezione albero L=30	1
56	90.2710.00 90.2728.00	Anello ten. alt. D. 20.0x35.0x8.7 LP Anello ten. alt. D. 22.0x35.0x8.8 LP	28 69 29 148



**KIT RICAMBI – SPARE KITS**

KIT Nr.	KIT 1	KIT 2	KIT 3	KIT 106	KIT 107	KIT 108	KIT 109	KIT 110	KIT 111	KIT 112
4-5 6-7 8 (11)	16	41	9-10	36-37 38	45	44-47 55	46	42-43 44-45 46-47 55	42-43	3
Nr. Pcs.	6	3	2	6	3	6	3	1	1	3

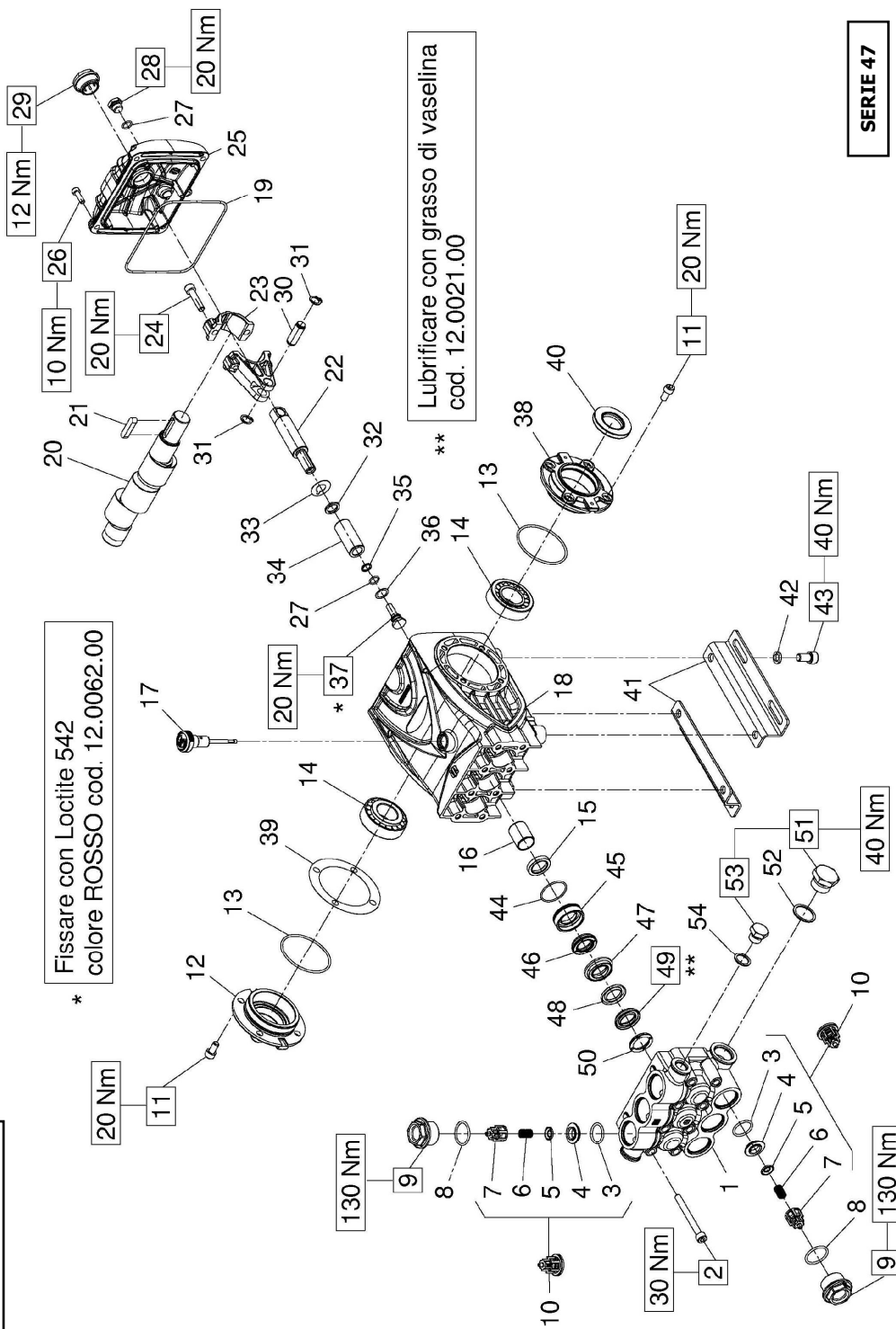
**W928 T9281**

POS	COD.	DESCRIZIONE – DESCRIPTION - KIT	NR
30	98.2042.50	Tappo G 1/4x9.0	1
31	90.3585.00	OR D. 10.82x1.78 NBR 70SH 2043	1
32	99.3099.00	Vite M8x35 UNI 5931	6
34	47.2117.47	Anello di protezione	3
35	47.0408.56	Pistone D. 16x49	3
36	90.5033.00	Anello antist. D. 8.0x11.0x1.5.0 107	3
37	90.3577.00	OR D. 7.66x1.78 - SPEC - 2031 107	3
38	47.2196.66	Vite fissaggio pistone 107	3
39	47.1510.22	Coperchio cuscinetto	1
40	97.5678.00	Spessore D. 7.4x104.0x0.1	-
40	97.5680.00	Spessore D. 7.4x104.0x0.3	-
41	90.1648.00	Anello rad. D. 30.0x55.0x7.0 3	1
42	90.3616.00	OR D. 34.65x1.78 NBR 70SH 2137 111 112	3
43	47.0808.70	Anello di fondo D. 16 111 112	3
44	90.2644.00	Anello ten. alt. D. 16.0x30x8.3 109 112	3
45	47.1003.51	Anello di testa D. 16 108 112	3
46	47.2172.70	Anello intermedio D. 16 110 112	3
47	90.2643.00	Anello RESTOP D. 16.0x30.0x7.3/4.0 109 112	3
48	47.2000.74	Piede pompa	2
49	99.3644.00	Vite M10x18 UNI 5931	4
50	96.7106.00	Rosetta D. 10.2x16.0x2.5	4
51	98.2176.00	Tappo G 1/2"x10	1
52	96.7514.00	Rosetta D. 21.5x27.0x1.5	1
53	98.2100.00	Tappo G 3/8"x13	1
54	96.7380.00	Rosetta D. 17.5x23.0x1.5	1
55	90.2642.00	Anello ten. alt. D. 16.0x30.0x7/4.0 109 112	3

POS	COD.	DESCRIZIONE – DESCRIPTION - KIT	NR
1	47.1214.41	Testata pompa D. 16 NK	1
2	99.3206.00	Vite M8x70 UNI 5737	8
4	90.3841.00	OR D. 17.13x2.62 NBR 70SH 3068 1	6
5	36.2003.66	Sede valvola 1	6
6	36.2001.76	Valvola 1	6
7	94.7376.00	Molla Dm. 9.4x14.8	1
8	36.2002.51	Guida valvola 1	6
9	90.3847.00	OR D. 20.29x2.62 NBR 90SH 3081 106	6
10	98.224.00	Tappo M24x1.5x17.5 NK 106	6
11	36.7032.01	Gr. valvola aspirazione e mandata 1	6
12	99.3039.00	Vite M8x16 UNI 5931	8
13	47.1511.22	Coperchio cuscinetto	1
14	90.3913.00	OR D. 67.95x2.62 NBR 70SH 3268	2
15	91.8375.00	Cuscinetto a rulli	2
16	90.1625.00	Anello rad. D. 22.0x32.0x2.5 2	3
17	90.9126.00	Boccola D. 22.0x25.0x30.0	3
18	47.0108.22	Carter pompa	1
19	98.2106.00	Asta livello olio G 3/8x64 D. 4	1
20	90.3922.00	OR D.133.02x2.62 NBR 70SH 3525	1
21	47.0217.35	Albero ecc. C. 16	1
22	90.0557.00	Anello arresto A12 UNI 7435	6
23	91.4892.00	Linguetta 8.0x7.0x35.0 UNI 6604	1
24	97.7380.00	Spinotto D. 13.0x35.0	3
25	47.0506.66	Guida pistone	3
26	47.0300.01	Bilica completa	3
27	99.1884.00	Vite M6x20 UNI 5931	5
28	47.1606.22	Coperchio posteriore	1
29	47.2213.01	Spia livello olio G 3/4	1

\*  
Fissare con Loctite 542  
colore ROSSO cod. 12.0062.00

Lubrificare con grasso di vaselina  
cod. 12.0021.00



**KIT RICAMBI – SPARE KITS**

KIT Nr.	KIT 2	KIT 3	KIT 6	KIT 11	KIT 14	KIT 29	KIT 148	KIT 149	KIT 169
Posizioni Include Positions Included	15	40	27 - 33 35 - 36 37	50	44 - 45	44 - 45 46 - 47 48 - 49 50	46 - 48 49	47 - 48	3 - 4 5 - 6 7 (10)
Nr. Pcs.	3	1	3	3	3	1	3	3	6

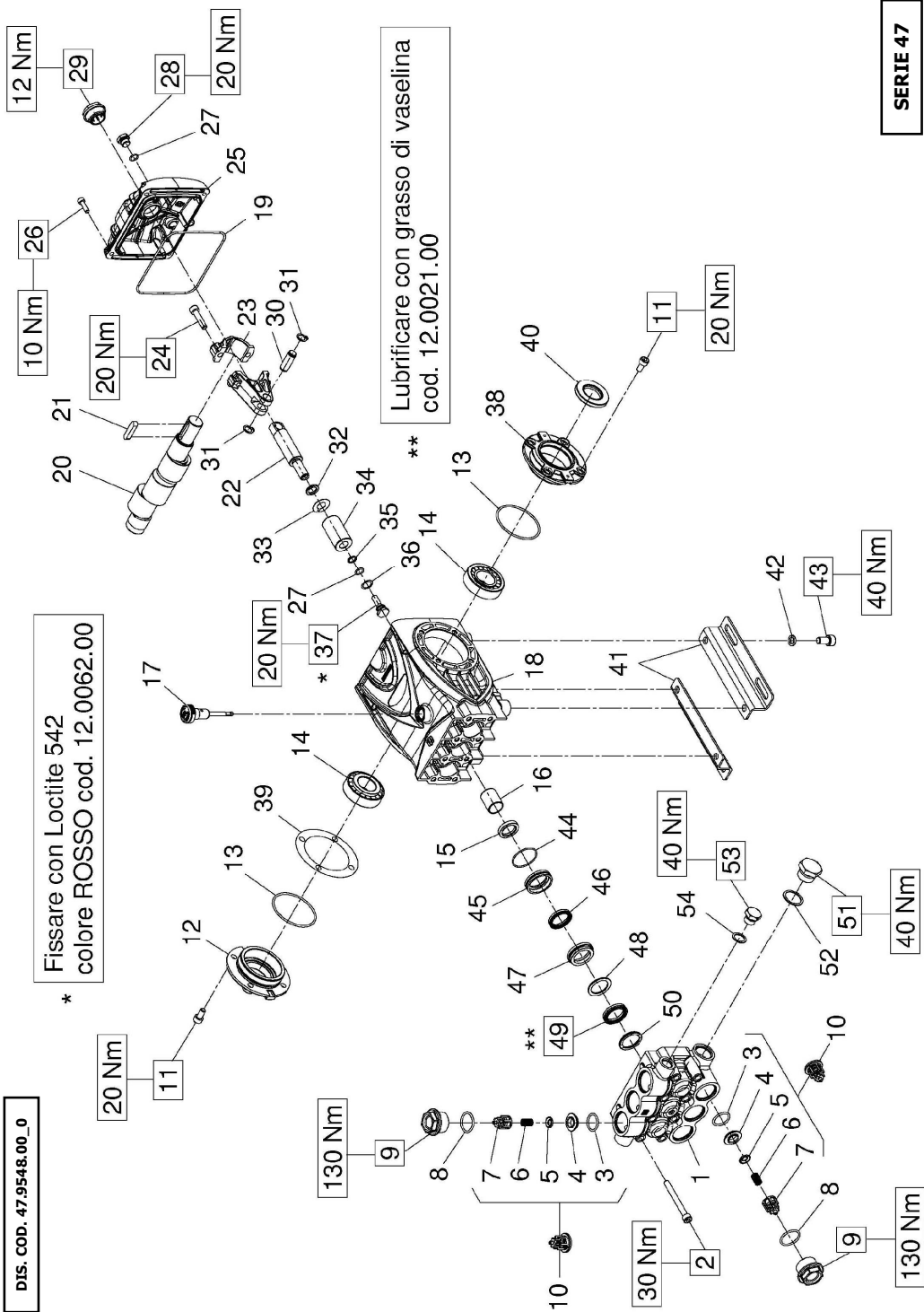
**WS1630 WS1625 TS1630 TS1636**

POS	COD.	DESCRIZIONE - DESCRIPTION - KIT	NR
29	47.2213.01	Spia livello olio G 3/4	1
30	97.7380.00	Spinotto D. 13.0x35.0	3
31	90.0557.00	Anello arresto A12 UNI 7435	6
32	47.2235.70	Distanziale D.14.0x20.5x2.5	3
33	96.7286.00	Rosetta D. 14.0x28.0x0.2	6
34	47.0405.56	Pistone D. 28x50	3
35	90.5067.00	Anello antiest. D.11.0x14.0x1.5	6
36	96.7280.00	Rosetta D. 14.0x18.0x0.5	6
37	47.2195.66	Vite fissaggio pistone	6
38	47.1510.22	Coperchio cuscinetto	1
39	97.5678.00	Spessore D. 74.4x104.0x0.1	-
39	97.5680.00	Spessore D. 74.4x104.0x0.3	-
40	90.1648.00	Anello rad. D. 30.0x55.0x7.0	3
41	47.2000.74	Piede pompa	2
42	96.7106.00	Rosetta D. 10.2x16.0x2.5	4
43	99.3644.00	Vite M10x18 UNI 5931	4
44	90.3616.00	OR D. 34.65x1.78 NBR 70SH 2137	3
45	47.0806.70	Anello di fondo D. 22	14 29
46	90.2728.00	Anello ten. alt. D. 22.0x35.0x8.3 LP	14 29
47	47.2170.70	Anello intermedio D. 22	29 148
48	90.2730.00	Anello RESTOP D. 22.0x35.0x5.5/2.0	29 149
49	90.2725.00	Anello ten. alt. D. 22.0x35.0x7/4.5 HP	29 148 149
50	46.1000.51	Anello di testa D. 22	29 148
51	98.2268.00	Tappo G 3/4x16	11 29
52	96.7700.00	Rosetta D. 26.5x32.0x1.5	1
53	98.2100.00	Tappo G 3/8x13	1
54	96.7380.00	Rosetta D. 17.5x23.0x1.5	1

POS	COD.	DESCRIZIONE - DESCRIPTION - KIT	NR
1	47.1230.41	Testata pompa D. 22	1
2	99.320.00	Vite M8x75 UNI 5737	8
3	90.3857.00	OR D. 23.81x2.62 NBR 70SH 132	169
4	36.2033.66	Sede valvola	169
5	36.2034.76	Valvola	169
6	94.7388.00	Molla Dm. 10.0x18.5	169
7	36.2035.51	Guida valvola	169
8	90.3864.00	OR D. 28.25x2.62 NBR 90SH 3112	6
9	98.2300.00	Tappo M32.0x1.5x17.5	6
10	36.7127.01	Gr. valvola aspirazione e mandata	169
11	99.3039.00	Vite M8x16 UNI 5931	8
12	47.1511.22	Coperchio cuscinetto	1
13	90.3913.00	OR D. 67.95x2.62 NBR 70SH 3268	2
14	91.8375.00	Cuscinetto a rulli	2
15	90.1625.00	Anello rad. D. 22.0x32.0x2.5	2
16	90.9126.00	Boccola D. 22.0x25.0x30.0	3
17	98.2106.00	Asta livello olio G 3/8x64 D. 4	1
18	47.0108.22	Carter pompa	1
19	90.3922.00	OR D. 133.02x2.62 NBR 70SH 3525	1
20	47.0217.35	Albero ecc. C. 16 - WS1625 TS1630	1
20	47.0223.35	Albero ecc. C. 19 - WS1630 TS1636	1
21	91.4892.00	Linguetta 8.0x7.0x35.0 UNI 6604	1
22	47.0504.66	Guida pistone	3
23	47.0300.01	Biella completa	3
24	99.3099.00	Vite M8x35 UNI 5931	6
25	47.1606.22	Coperchio posteriore	1
26	99.1884.00	Vite M6x20 UNI 5931	5
27	90.3585.00	OR D. 10.82x1.78 NBR 70SH 2043	6
28	98.2042.50	Tappo G 1/4x9.0	1

\* Fissare con Loctite 542 colore ROSSO cod. 12.0062.00

Lubrificare con grasso di vaselina cod. 12.0021.00





**KIT RICAMBI – SPARE KITS**

KIT Nr.	KIT 2	KIT 3	KIT 6	KIT 169	KIT 247	KIT 248
Posizioni Include Positions Included	15	40	27 - 33 35 - 36 37	3 - 4 5 - 6 7 (10)	44 - 45 46 - 47 48 - 49 50	46 - 48 49 - 50
Nr. Pcs.	3	1	3	6	1	1

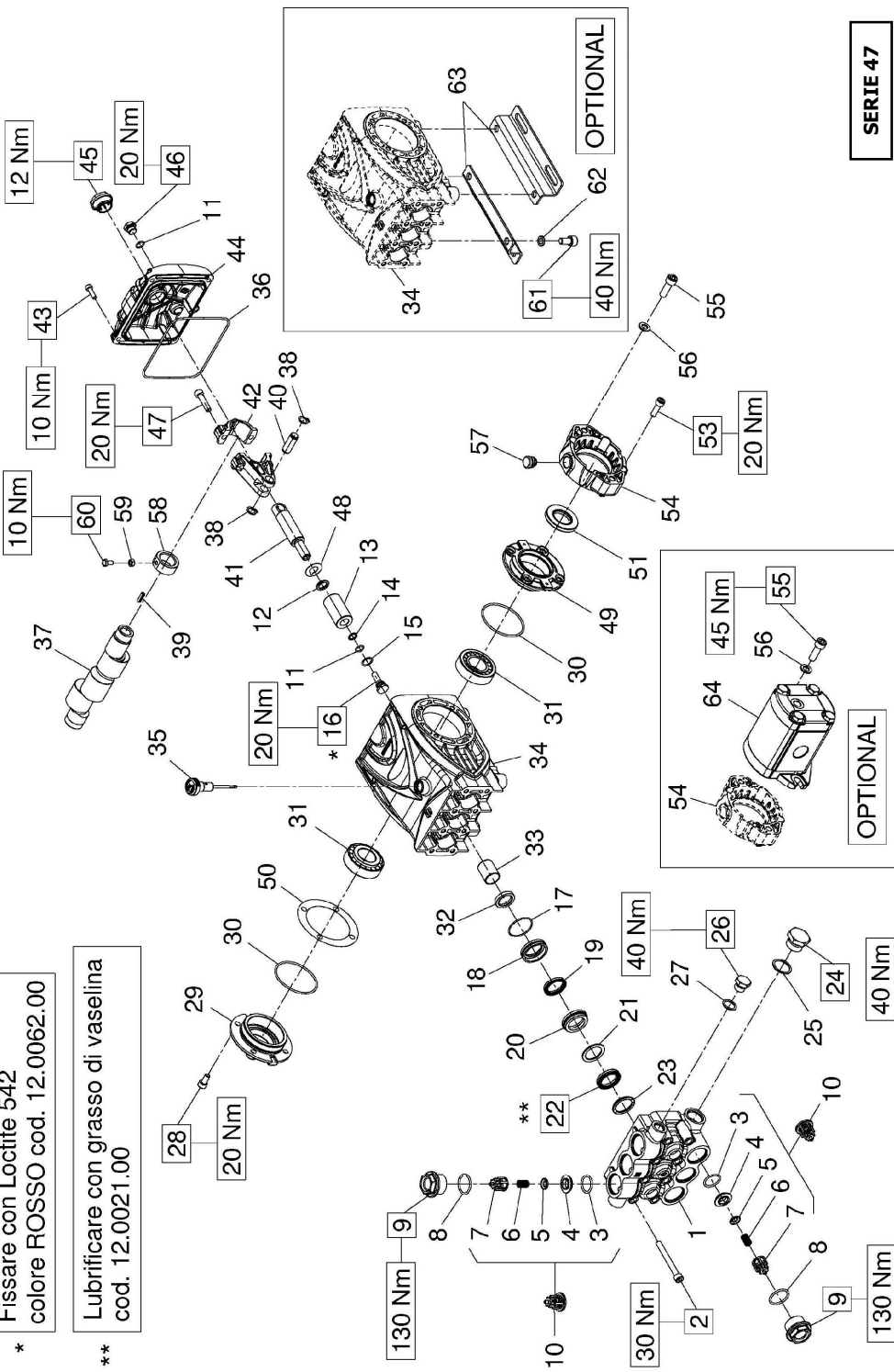
**WS1036 WS1040 TS1044 TS1050**

POS	COD.	DESCRIZIONE - DESCRIPTION - KIT	NR
29	47.2213.01	Spia livello olio G 3/4	1
30	97.7380.00	Spinotto D. 13.0x35.0	3
31	90.0557.00	Anello arresto A12 UNI 7435	6
32	47.2235.70	Distanziale D.14.0x20.5x2.5	3
33	96.7286.00	Rosetta D. 14.0x28.0x0.2	6
34	47.0409.56	Pistone D. 28x50	3
35	90.5067.00	Anello antiest. D.11.0x14.0x1.5	6
36	96.7280.00	Rosetta D. 14.0x18.0x0.5	6
37	47.2195.66	Vite fissaggio pistone	6
38	47.1510.22	Coperchio cuscinetto	1
39	97.5678.00	Spessore D. 74.4x104.0x0.1	-
39	97.5680.00	Spessore D. 74.4x104.0x0.3	-
40	90.1648.00	Anello rad. D. 30.0x55.0x7.0	3
41	47.2000.74	Piede pompa	2
42	96.7106.00	Rosetta D. 10.2x16.0x2.5	4
43	99.3644.00	Vite M10x18 UNI 5931	4
44	90.3620.00	OR D. 37.82x1.78 NBR 70SH 2150	247
45	66.0825.70	Anello di fondo D. 28	247
46	90.2753.00	Anello ten. alt. D. 28.0x36.0x6.5 LP	247 248
47	66.2200.70	Anello intermedio D. 28	247
48	90.5172.00	Anello antiest. D. 28.0x28.0x1.9	247 248
49	90.2753.80	Anello ten. alt. D. 28.0x38.0x6.3/7.0 HP	247 248
50	66.1016.51	Anello di testa D. 28	247 248
51	98.2268.00	Tappo G 3/4x16	1
52	96.7700.00	Rosetta D. 26.5x32.0x1.5	1
53	98.2100.00	Tappo G 3/8x13	1
54	96.7380.00	Rosetta D. 17.5x23.0x1.5	1

POS	COD.	DESCRIZIONE - DESCRIPTION - KIT	NR
1	47.1233.41	Testata pompa D. 28	1
2	99.3220.00	Vite M8x75 UNI 5737	8
3	90.3857.00	OR D. 23.81x2.62 NBR 70SH 132	169
4	36.2033.66	Sede valvola	169
5	36.2034.76	Valvola	169
6	94.7388.00	Molla Dm. 10.0x18.5	169
7	36.2035.51	Guida valvola	169
8	90.3864.00	OR D. 28.25x2.62 NBR 90SH 3112	6
9	98.2300.00	Tappo M32.0x1.5x17.5	6
10	36.7127.01	Gr. valvola aspirazione e mandata	169
11	99.3039.00	Vite M8x16 UNI 5931	8
12	47.1511.22	Coperchio cuscinetto	1
13	90.3913.00	OR D. 67.95x2.62 NBR 70SH 3268	2
14	91.8375.00	Cuscinetto a rulli	2
15	90.1625.00	Anello rad. D. 22.0x32.0x2.5	2
16	90.9126.00	Boccola D. 22.0x25.0x30.0	3
17	98.2106.00	Asta livello olio G 3/8x64 D. 4	1
18	47.0108.22	Carter pompa	1
19	90.3922.00	OR D.133.02x2.62 NBR 70SH 3525	1
20	47.0217.35	Albero ecc. C. 16 - WS1040 TS1050	1
47	47.0221.35	Albero ecc. C. 14 - WS1036 TS1044	1
21	91.4892.00	Linguetta 8.0x7.0x35.0 UNI 6604	1
22	47.0504.66	Guida pistone	3
23	47.0300.01	Bielletta completa	3
24	99.3099.00	Vite M8x35 UNI 5931	6
25	47.1606.22	Coperchio posteriore	1
26	99.1884.00	Vite M6x20 UNI 5931	5
27	90.3585.00	OR D. 10.82x1.78 NBR 70SH 2043	6
28	98.2042.50	Tappo G 1/4x9.0	1

\*  
Fissare con Loctite 542  
colore ROSSO cod. 12.0062.00

\*\*  
Lubrificare con grasso di vaselina  
cod. 12.0021.00



**KIT RICAMBI – SPARE KITS**

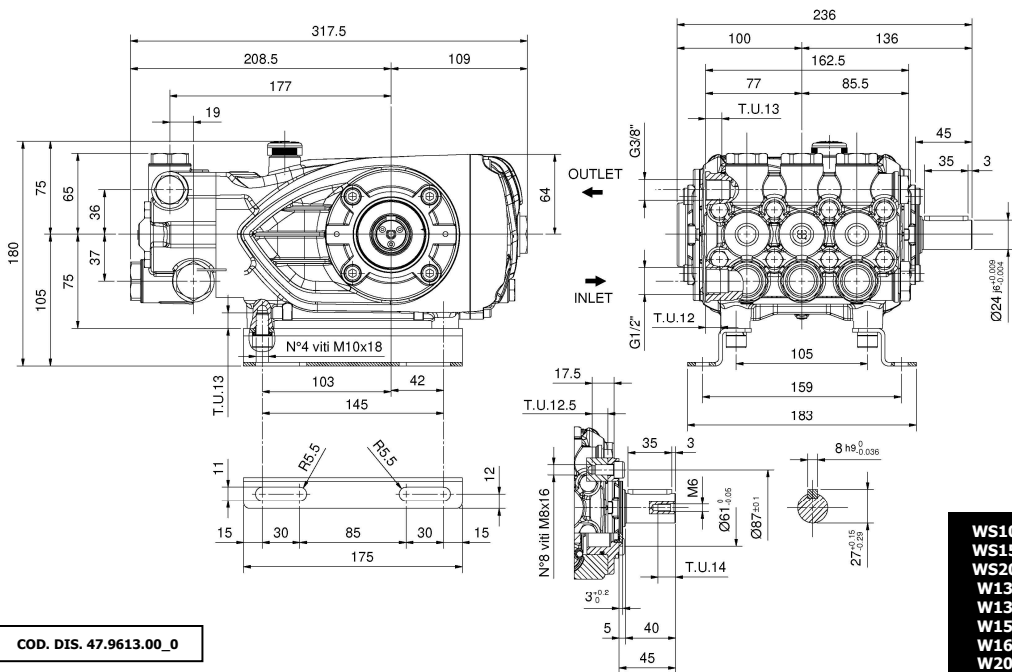
KIT Nr.	KIT 2	KIT 3	KIT 6	KIT 11	KIT 14	KIT 29	KIT 148	KIT 149	KIT 169
Posizioni Include Positions Included	32	51	11 - 14 15 - 16 48	23	17 - 18	17 - 18 19 - 20 21 - 22 23	19 - 21 22	20 - 21	3 - 4 5 - 6 7 (10)
Nr. Pcs.	3	1	3	3	3	1	3	3	6

**WS1630**

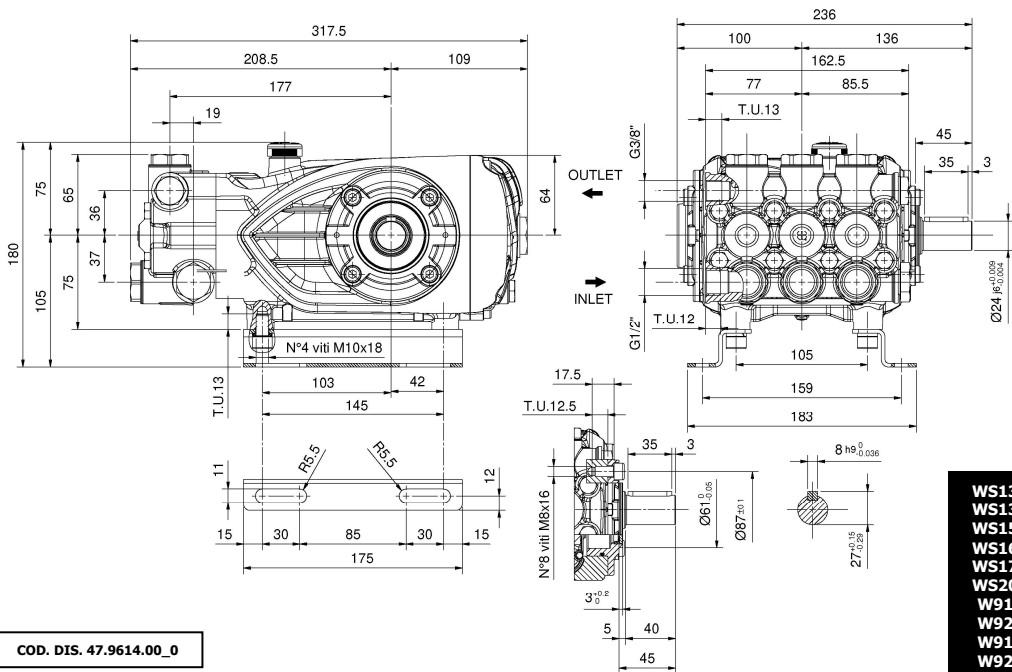
POS	COD.	DESCRIZIONE - DESCRIPTION - KIT	NR
1	47.1230.41	Testata pompa D. 22	1
2	99.320.00	Vite M8x75 UNI 5737	8
3	90.3857.00	OR D. 23.81x2.62 NBR 70SH 132_169	6
4	36.2033.66	Sede valvola	169
5	36.2034.76	Valvola	169
6	94.7388.00	Molla Dm. 10.0x18.5	169
7	36.2035.51	Guida valvola	169
8	90.3864.00	OR D. 28.25x2.62 NBR 90SH 3112	6
9	98.2300.00	Tappo M32.0x1.5x17.5	6
10	36.7127.01	Gr. valvola aspirazione e mandata_169	169
11	90.3585.00	OR D. 10.82x1.78 NBR 70SH 2043	6
12	47.2255.70	Distanziale D.14.0x20.5x2.5	3
13	47.0405.56	Pistone D. 28x50	3
14	90.5067.00	Anello antiest. D.11.0x14.0x1.5	6
15	96.7280.00	Rosetta D. 14.0x18.0x0.5	6
16	47.2195.66	Vite fissaggio pistone	6
17	90.3616.00	OR D. 34.65x1.78 NBR 70SH 2137	3
18	47.0806.70	Anello di fondo D. 22	14 29
19	90.2728.00	Anello ten. alt. D. 22.0x35.0x8.3 LP	29 148
20	47.2170.70	Anello intermedio D. 22	29 149
21	90.2730.00	Anello RESTOP D. 22.0x35.0x5.5/2.0	29 148 149
22	90.2725.00	Anello ten. alt. D. 22.0x35.0x7/4.5 HP	29 148
23	46.1000.51	Anello di testa D. 22	11 29
24	98.2268.00	Tappo G 3/4x16	1
25	96.7700.00	Rosetta D. 26.5x32.0x1.5	1
26	98.2100.00	Tappo G 3/8x13	1

POS	COD.	DESCRIZIONE - DESCRIPTION - KIT	NR
27	96.7380.00	Rosetta D. 17.5x23.0x1.5	1
28	99.3039.00	Vite M8x16 UNI 5931	4
29	47.1511.22	Coperchio cuscinetto	1
30	90.3913.00	OR D. 67.95x2.62 NBR 70SH 3268	2
31	91.8375.00	Cuscinetto a rulli	2
32	90.1625.00	Anello rad. D. 22.0x32.0x2.5	2
33	90.9126.00	Boccola D. 22.0x25.0x30.0	3
34	47.0108.22	Carter pompa	1
35	98.2106.00	Asta livello olio G 3/8x64 D. 4	1
36	90.3922.00	OR D.133.02x2.62 NBR 70SH 3525	1
37	47.0231.35	Albero ecc. C. 19	1
38	90.0557.00	Anello arresto A12 UNI 7435	6
39	91.4685.00	Linguetta 4,0/4.8x18.0	1
40	97.7380.00	Spinotto D. 13.0x35.0	3
41	47.0504.66	Guida pistone	3
42	47.0300.01	Biella completa	3
43	99.1884.00	Vite M6x20 UNI 5931	5
44	47.1606.22	Coperchio posteriore	1
45	47.2213.01	Splia livello olio G 3/4	1
46	98.2042.50	Tappo G 1/4x9.0	1
47	99.3099.00	Vite M8x35 UNI 5931	6
48	96.7286.00	Rosetta D. 14.0x28.0x0.2	6
49	47.1510.22	Coperchio cuscinetto	1
50	97.5678.00	Spessore D. 74.4x104.0x0.1	-
	97.5680.00	Spessore D. 74.4x104.0x0.3	-
51	90.1648.00	Anello rad. D. 30.0x55.0x7.0	3
53	99.3069.00	Vite M8x25 UNI 5931	4
54	10.0862.22	Flangia per motore idraulico SAE-A	1
55	99.3686.00	Vite M10x30 UNI 5931	2

**DIMENSIONI D'INGOMBRO – OVERALL DIMENSIONS – DIMENSIONS D'ENCOMBREMENT  
RAUMBEDARF – DIMENSIONES TOTALES – DIMENSÕES**

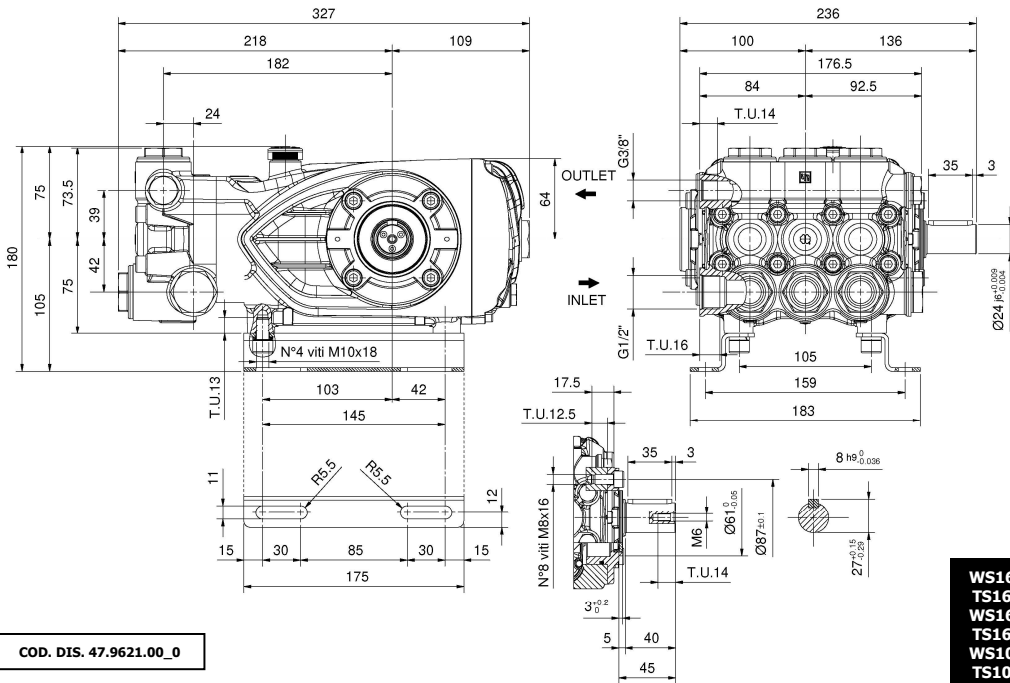


**WS102  
WS152  
WS202  
W131  
W132  
W151  
W162  
W201**



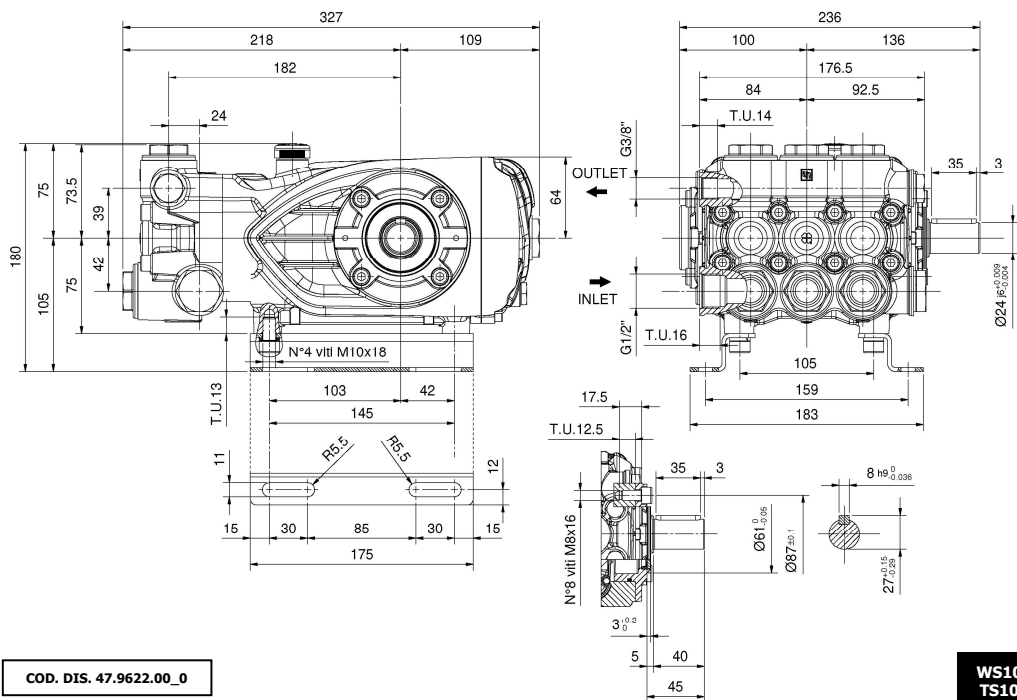
**WS131  
WS132  
WS151  
WS162  
WS171  
WS201  
W916  
W921  
W914  
W922**

**DIMENSIONI D'INGOMBRO – OVERALL DIMENSIONS – DIMENSIONS D'ENCOMBREMENT  
RAUMBEDARF – DIMENSIONES TOTALES – DIMENSÕES**



**COD. DIS. 47.9621.00\_0**

**WS1625  
TS1630  
WS1630  
TS1630  
WS1040  
TS1050**

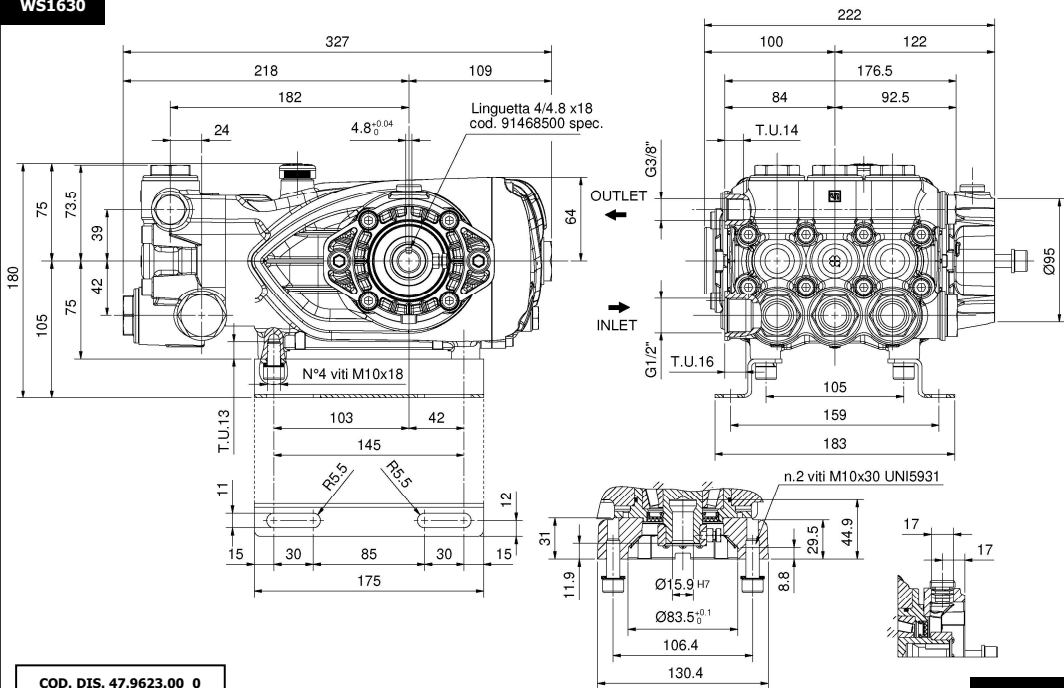


**COD. DIS. 47.9622.00\_0**

**WS1036  
TS1044**

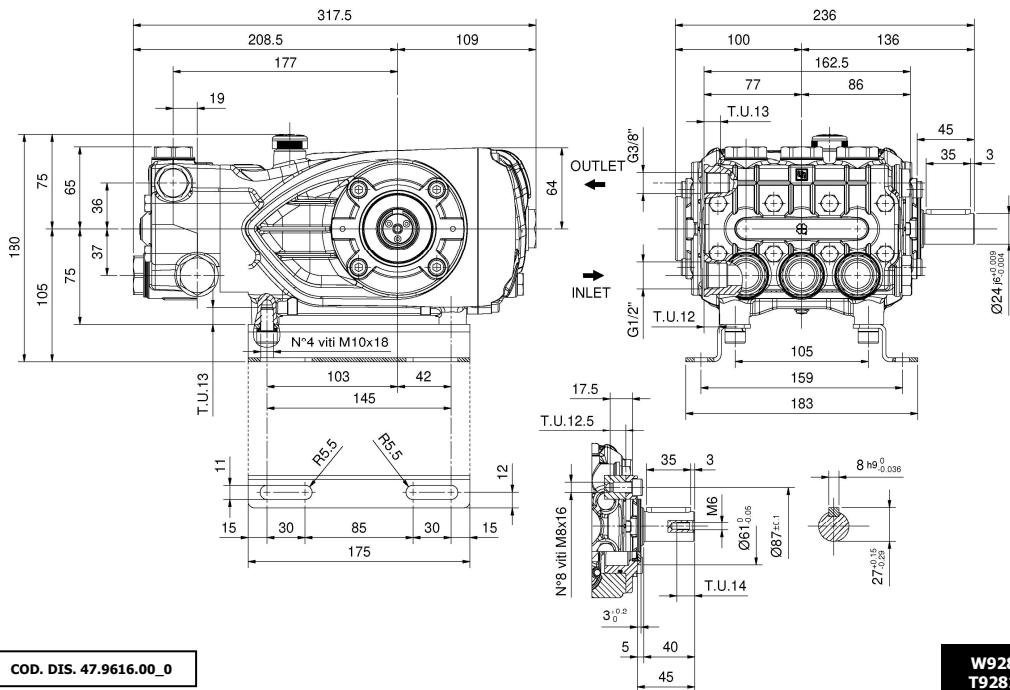
**DIMENSIONI D'INGOMBRO – OVERALL DIMENSIONS – DIMENSIONS D'ENCOMBREMENT  
RAUMBEDARF – DIMENSIONES TOTALES – DIMENSÕES**

**WS1630**



**COD. DIS. 47.9623.00\_0**

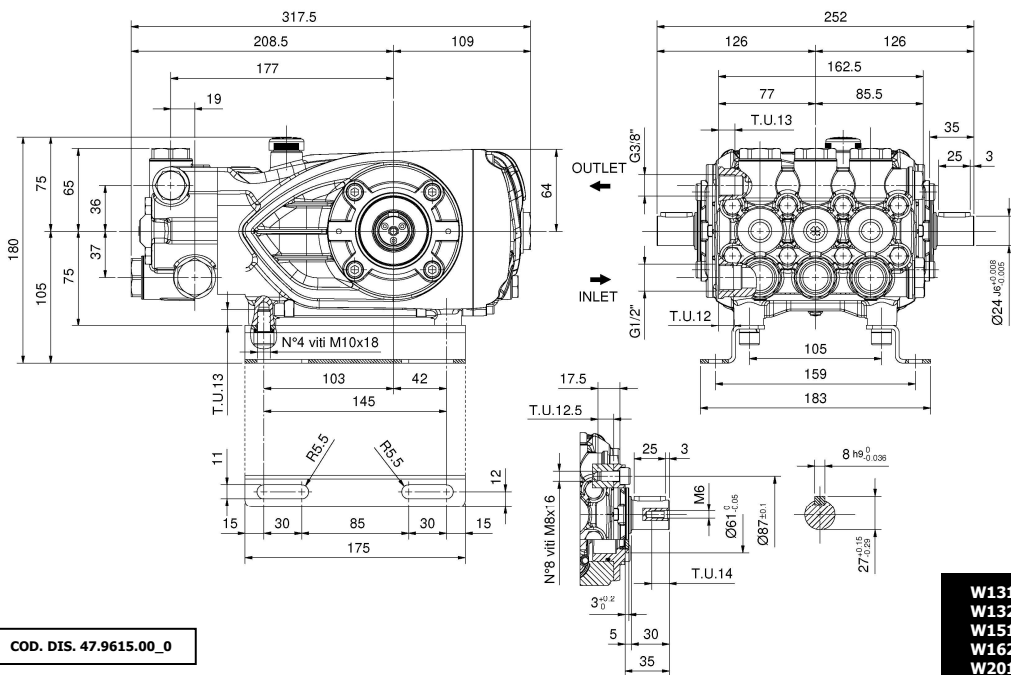
**FL. I**



**COD. DIS. 47.9616.00\_0**

**W928  
T9281**

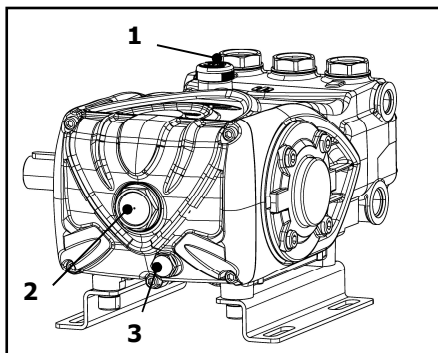
**Coppia max. trasmissibile dal 2° PTO – Max. torque from 2° PTO**  
**Couple max. transmissible du 2° PTO - Drehmoment transmissible max. von 2° PTO**  
**De par max. de transmissible de 2° PTO – Binário máx. de transmissible de 2° PTO**  
**33 Nm (3.5 kW@1000 rpm - 5 kW@1450 rpm – 6 kW@1750 rpm)**



**W131**  
**W132**  
**W151**  
**W162**  
**W201**

## 1 - CAMBIO OLIO

- 1.1 – Il cambio dell'olio va eseguito con pompa a temperatura di lavoro.
- 1.2 – Posizionare un recipiente sotto il tappo di scarico olio (3).
- 1.3 – Rimuovere il tappo con asta (1) e successivamente il tappo di scarico (3).
- 1.4 – Attendere fino a quando tutto l'olio è uscito, quindi riavvitare il tappo di scarico (3) con la coppia torcente indicata su disegno esploso.
- 1.5 – Riempire con olio nuovo fino al raggiungimento della mezzeria del tappo spia livello olio (2) e riavvitare il tappo con asta (1) .



**Per il tipo di olio da utilizzare fare riferimento a quanto indicato sul libretto generico.**



**ATTENZIONE: L'olio esausto deve essere raccolto in recipienti e smaltito negli appositi centri in accordo alla normativa vigente. Non deve essere assolutamente disperso nell'ambiente.**

## 1 – OIL CHANGING

- 1.1 – Oil changing must be done with the pump at operating temperature.
- 1.2 – Put a container under the oil drain plug (3).
- 1.3 – Remove the oil dipstick (1) and then the drain plug (3).
- 1.4 – Wait until all the oil has drained out, then screw the drain plug (3) and tighten at the torque shown in the exploded diagram.
- 1.5 – Fill with new oil until the middle of the oil level indicator (2) is reached, screw by hand the oil dipstick (1).

**Refer to the generic booklet for the type of oil to use.**



**WARNING: The exhaust oil must be collected in receptacles and disposed of at authorised centres as specified by law. It must not be thrown away in the environment.**

## 1 - CHANGEMENT DE L'HUILE

- 1.1 – Le changement de l'huile doit être exécuté avec la pompe à température d'exercice.
- 1.2 – Placer un récipient sous le bouchon de vidange de l'huile (3).
- 1.3 – Enlever le bouchon-jauge (1), puis enlever le bouchon de vidange (3).
- 1.4 – Attendre que toute l'huile soit sortie, puis revisser le bouchon de vidange (3) avec le couple de torsion qui est indiqué sur le dessin éclaté.
- 1.5 – Remplir avec de l'huile neuve jusqu'à la ligne médiane du bouchon indicateur du niveau d'huile (2), et revisser le bouchon-jauge (1).

**Pour le type d'huile à utiliser, se référer à ce qui est indiqué sur la notice générale.**



**ATTENTION : L'huile usée doit être recueillie dans des récipients et éliminée dans les centres prévus à cet effet, conformément à la réglementation en vigueur. Il ne faut absolument pas la jeter dans l'environnement.**



## 1 - ÖLWECHSEL

- 1.1 – Beim Ölwechsel muss die Pumpe Betriebstemperatur aufweisen.
- 1.2 – Unter den Ölablassverschluss (3) einen Behälter stellen.
- 1.3 – Den Verschluss mit dem Stab (1) und danach den Ablassverschluss (3) abnehmen.
- 1.4 – Warten, bis das gesamte Öl abgelassen ist und den Ablassverschluss (3) mit dem auf der Übersichtszeichnung angegebenen Drehmoment wieder anschrauben.
- 1.5 – Mit frischem Öl füllen, bis die Mittellinie des Ölstandkontrollverschlusses (2) erreicht ist und den Verschluss mit dem Stab (1) wieder anschrauben.

**Bezüglich der verwendbaren Ölsorten siehe die Angaben im allgemeinen Handbuch.**



**ACHTUNG: Das Altöl muss in Behältern gesammelt und gemäß den geltenden Vorschriften bei den hierfür vorgesehenen Zentren entsorgt werden. Es darf keinesfalls umweltschädigend entsorgt werden.**

---

## 1 - CAMBIO DE ACEITE

- 1.1 – El cambio de aceite se efectúa con bomba a temperatura de trabajo.
- 1.2 – Colocar un recipiente debajo del tapón de descarga de aceite (3).
- 1.3 – Extraer el tapón con varilla (1) y seguidamente el tapón de descarga (3).
- 1.4 – Esperar hasta que haya salido todo el aceite, volver a enroscar el tapón de descarga (3) con el par de torsión indicado en el despiece.
- 1.5 – Llenar con aceite nuevo hasta alcanzar la línea media del tapón indicador de nivel de aceite (2) y volver a enroscar el tapón con varilla (1).

**Para el tipo de aceite que debe utilizarse, remitirse a las indicaciones del manual general.**



**ATENCIÓN: El aceite residual debe recogerse en recipientes y eliminarse en los centros pertinentes de acuerdo con la normativa vigente. En ningún caso debe dispersarse en el ambiente.**

---

## 1 - TROCA DE ÓLEO

- 1.1 – A troca de óleo deve ser feita com a bomba na temperatura de trabalho.
- 1.2 – Posicionar um recipiente embaixo da tampa de descarga de óleo (3).
- 1.3 – Remover a tampa com o pino (1) e, em seguida, a tampa de descarga (3).
- 1.4 – Esperar que todo o óleo saia, recolocar a tampa de descarga (3) com o binário de torção indicado no desenho explodido.
- 1.5 – Encher com o óleo novo até chegar na linha da tampa de controle do nível do óleo (2) e recolocar a tampa com o pino (1).

**Para o tipo de óleo a ser utilizado, consultar as indicações do livro genérico.**



**ATENÇÃO: O óleo consumido deve ser coletado em recipientes e eliminado nos locais adequados, de acordo com a normativa vigente. Não deve, de modo algum, ser jogado no ambiente.**

**DICHIARAZIONE DI INCORPORAZIONE**  
(Ai sensi dell'allegato II della Direttiva Europea 2006/42/CE)

Il produttore **INTERPUMP GROUP S.p.A. – Via E. Fermi, 25 – 42049 S. ILARIO D'ENZA (RE) – Italia**  
**DICHIARA** sotto la propria esclusiva responsabilità che il prodotto identificato e descritto come segue:

Denominazione: Pompa  
Tipo: Pompa alternativa a pistoni per acqua ad alta pressione  
Marchio di fabbrica: INTERPUMP GROUP  
Serie: 47  
Modello: W131 W151 W201 W132 W162 WS171 WS131 WS151 WS201 WS162  
WS132 WS102 WS152 WS202 WS1625 WS1630 WS1036 WS1040  
W921 W928 T9281 W916 W914 W922 TS1636 TS1630 TS1044 TS1050

Risulta essere conforme alla Direttiva Macchine 2006/42/CE.

Norme applicate: UNI EN ISO 12100:2010 - UNI EN 809:2009

La pompa sopra identificata rispetta i seguenti requisiti essenziali di sicurezza e di tutela della salute elencati nel punto 1 dell'allegato I della Direttiva Macchine:

1.1.1 - 1.1.2 – 1.1.3 – 1.1.5 – 1.1.6 - 1.3.1 – 1.3.2 – 1.3.3 – 1.3.4 – 1.5.4 – 1.6.1 – 1.7.1 – 1.7.2 – 1.7.4 – 1.7.4.1 – 1.7.4.2

e la relativa documentazione tecnica è stata compilata in conformità dell'allegato VII B.

Inoltre il produttore si impegna a rendere disponibile, a seguito di una richiesta adeguatamente motivata, copia della documentazione tecnica pertinente la pompa nei modi e nei termini da definire.

La pompa non deve essere messa in servizio finché l'impianto al quale la pompa deve essere incorporata è stato dichiarato conforme alle disposizioni delle relative direttive e/o norme.

Persona autorizzata a costituire il fascicolo tecnico

Nome: Roberto Menozzi

Indirizzo: INTERPUMP GROUP S.p.A. – Via E. Fermi,  
25 – 42049 S. ILARIO D'ENZA (RE) – Italia

Persona autorizzata a redigere la dichiarazione:

Nome : Ing. Silvio Corrias

Reggio Emilia 09/2022

Firma:



## DECLARATION OF INCORPORATION

(In accordance with Annex II of European Directive 2006/42/CE)

The manufacturer **INTERPUMP GROUP S.p.A. – Via E. Fermi, 25 – 42049 S. ILARIO D'ENZA (RE) – Italy** **DECLARES** under sole responsibility that the product identified and described as follows:

Name: Pump  
Type: Reciprocating plunger pump for high pressure water  
Trademark: INTERPUMP GROUP  
Series: 47  
Model: W131 W151 W201 W132 W162 WS171 WS131 WS151 WS201 WS162  
WS132 WS102 WS152 WS202 WS1625 WS1630 WS1036 WS1040  
W921 W928 T9281 W916 W914 W922 TS1636 TS1630 TS1044 TS1050

complies with Machinery Directive 2006/42/EC.

Standards applied: UNI EN ISO 12100:2010 - UNI EN 809:2009

The pump identified above meets all the essential safety and health protection requirements as listed in section 1 of Annex I of the Machinery Directive:  
1.1.1 - 1.1.2 – 1.1.3 – 1.1.5 – 1.1.6 - 1.3.1 – 1.3.2 – 1.3.3 – 1.3.4 – 1.5.4 – 1.6.1 – 1.7.1 – 1.7.2 – 1.7.4 – 1.7.4.1 – 1.7.4.2  
and the relevant technical documentation has been compiled in accordance with Annex VII B.

In addition, the manufacturer undertakes to make available, following a reasoned request, a copy of the relevant technical pump documentation in the manner and terms to be defined.

The pump should not be put into service until the plant to which the pump is to be incorporated has been declared in accordance with the provisions of the relevant directives and/or standards.

Person authorised to compile the technical file

Name: Roberto Menozzi

Address: INTERPUMP GROUP S.p.A. – Via E. Fermi,  
25 – 42049 S. ILARIO D'ENZA (RE) – Italy

Person authorized to draw up the declaration:

Name : Mr. Silvio Corrias

Reggio Emilia 09/2022

Signature:



## DÉCLARATION D'INCORPORATION

(Conformément à l'annexe II de la Directive Européenne 2006/42/CE)

Le fabricant **INTERPUMP GROUP S.p.A. – Via E. Fermi, 25 – 42049 S. ILARIO D'ENZA (RE) – Italie**

**DÉCLARE** sous sa seule responsabilité que le produit identifié et décrit comme suit :

Dénomination : Pompe  
Type : Pompe alternative à pistons pour eau à haute pression  
Marque de fabrique : INTERPUMP GROUP  
Séries : 47  
Modèle : W131 W151 W201 W132 W162 WS171 WS131 WS151 WS201 WS162  
WS132 WS102 WS152 WS202 WS1625 WS1630 WS1036 WS1040  
W921 W928 T9281 W916 W914 W922 TS1636 TS1630 TS1044 TS1050

Est conforme à la Directive Machines 2006/42/CE.

Normes appliquées : UNI EN ISO 12100:2010 - UNI EN 809:2009

La pompe identifiée ci-dessus répond aux exigences essentielles de sécurité et protection de la santé suivantes énumérées au point 1 de l'annexe I de la Directive Machines :

1.1.1 - 1.1.2 – 1.1.3 – 1.1.5 – 1.1.6 - 1.3.1 – 1.3.2 – 1.3.3 – 1.3.4 – 1.5.4 – 1.6.1 – 1.7.1 – 1.7.2 – 1.7.4 – 1.7.4.1 – 1.7.4.2

et la documentation technique pertinente est constituée conformément à l'annexe VII B.

De plus, le fabricant s'engage à rendre disponible, suite à une demande adéquatement motivée, une copie de la documentation technique relative à la pompe dans les modes et les termes à définir.

La pompe ne doit pas être mise en marche tant que l'installation à laquelle la pompe doit être incorporée n'a pas été déclarée conforme aux dispositions des directives et / ou normes relatives.

Personne autorisée à réaliser le manuel technique

Nom : Roberto Menozzi

Adresse : INTERPUMP GROUP S.p.A. – Via E. Fermi,  
25 – 42049 S. ILARIO D'ENZA (RE) – Italie

Personne autorisée à rédiger la déclaration :

Nom : Ing. Silvio Corrias

Reggio Emilia 09/2022

Signature :



## EINBAUERKLÄRUNG

(gemäß Anhang II der Europäischen Richtlinie 2006/42/EG)

Der Hersteller **INTERPUMP GROUP S.p.A. – Via E. Fermi, 25 – 42049 S. ILARIO D'ENZA (RE) – Italien**

**ERKLÄRT** auf alleinige Verantwortung, dass das wie folgt bezeichnete und beschriebene Produkt:

Bezeichnung: Pumpe  
Typ: Kolbenhubpumpe für Hochdruckwasser  
Herstellermarke: INTERPUMP GROUP  
Serie: 47  
Modell: W131 W151 W201 W132 W162 WS171 WS131 WS151 WS201 WS162  
WS132 WS102 WS152 WS202 WS1625 WS1630 WS1036 WS1040  
W921 W928 T9281 W916 W914 W922 TS1636 TS1630 TS1044 TS1050

mit der Maschinenrichtlinie 2006/42/EG konform ist.

Angewandte Normen: UNI EN ISO 12100:2010 - UNI EN 809:2009

Die oben genannte Pumpe genügt den folgenden grundlegenden Sicherheits- und Gesundheitsschutzanforderungen, die unter Punkt 1 des Anhangs I der Maschinenrichtlinie aufgeführt sind: 1.1.1 - 1.1.2 – 1.1.3 – 1.1.5 – 1.1.6 - 1.3.1 – 1.3.2 – 1.3.3 – 1.3.4 – 1.5.4 – 1.6.1 – 1.7.1 – 1.7.2 – 1.7.4 – 1.7.4.1 – 1.7.4.2

Die speziellen technischen Unterlagen wurden gemäß Anhang VII Teil B erstellt.

Darüber hinaus verpflichtet sich der Hersteller einzelstaatlichen Stellen auf begründetes Verlangen die speziellen technischen Unterlagen zur Pumpe in festzulegenden Modalitäten und Fristen zu übermitteln.

Die Pumpe darf erst dann in Betrieb genommen werden, wenn gegebenenfalls festgestellt wurde, dass die Maschine, in die die Pumpe eingebaut werden soll, den Bestimmungen der entsprechenden Richtlinien und/oder Normen entspricht.

Person, die bevollmächtigt ist, die relevanten technischen Unterlagen zusammenzustellen: Roberto Menozzi

Adresse: INTERPUMP GROUP S.p.A. – Via E. Fermi,  
25 – 42049 S. ILARIO D'ENZA (RE) – Italien

Person, die zur Ausstellung dieser Erklärung bevollmächtigt ist: Ing. Silvio Corrias

Reggio Emilia 09/2022

Unterschrift:



## DECLARACIÓN DE INCORPORACIÓN

(De acuerdo con el anexo II de la Directiva Europea 2006/42/CE)

El fabricante **INTERPUMP GROUP S.p.A. – Via E. Fermi, 25 – 42049 S. ILARIO D'ENZA (RE) – Italia** **DECLARA** bajo su propia y exclusiva responsabilidad al producto identificado y descrito del siguiente modo:

Denominación: Bomba  
Tipo: Bomba alternativa con pistones para agua de alta presión  
Marca del fabricante: INTERPUMP GROUP  
Serie: 47  
Modelo: W131 W151 W201 W132 W162 WS171 WS131 WS151 WS201 WS162  
WS132 WS102 WS152 WS202 WS1625 WS1630 WS1036 WS1040  
W921 W928 T9281 W916 W914 W922 TS1636 TS1630 TS1044 TS1050

Resulta estar conforme con la Directiva de Máquinas 2006/42/CE.

Normas aplicadas: UNI EN ISO 12100:2010 - UNI EN 809:2009

La bomba identificada anteriormente respeta los siguientes requisitos esenciales de seguridad y de protección de la salud citados en el punto 1 del anexo I de la Directiva de Máquina:

1.1.1 - 1.1.2 – 1.1.3 – 1.1.5 – 1.1.6 - 1.3.1 – 1.3.2 – 1.3.3 – 1.3.4 – 1.5.4 – 1.6.1 – 1.7.1 – 1.7.2 – 1.7.4 – 1.7.4.1 – 1.7.4.2

y la correspondiente documentación técnica ha sido compilada de acuerdo con el anexo VII B.

Además el fabricante se compromete en hacer disponible, después haberse llevado a cabo una solicitud adecuadamente motivada, una copia de la documentación técnica pertinente de la bomba en una modalidad y en un plazo aún por definir.

La bomba no debe ser puesta en funcionamiento, hasta que el sistema al cuál la bomba debe ser incorporada, haya sido declarado conforme a las disposiciones de las respectivas directivas y/o normativas.

Persona autorizada a realizar el fascículo técnico

Nombre: Roberto Menozzi

Dirección: INTERPUMP GROUP S.p.A. – Via E. Fermi,  
25 – 42049 S. ILARIO D'ENZA (RE) – Italia

Persona autorizada a redactar la declaración:

Nombre : Ing. Silvio Corrias

Reggio Emilia 09/2022

Firma:



## DECLARAÇÃO DE INCORPORAÇÃO

(Nos termos do anexo II da Directiva Europeia 2006/42/CE)

O fabricante **INTERPUMP GROUP S.p.A. – Via E. Fermi, 25 – 42049 S. ILARIO D'ENZA (RE) – Itália**  
**DECLARA** sob a sua exclusiva responsabilidade que o produto identificado e descrito tal como se segue:

Denominação: Bomba  
Tipo: Bomba alternativa com pistões para água a alta pressão  
Marca de fábrica: INTERPUMP GROUP  
Series: 47  
Modelo: W131 W151 W201 W132 W162 WS171 WS131 WS151 WS201 WS162  
WS132 WS102 WS152 WS202 WS1625 WS1630 WS1036 WS1040  
W921 W928 T9281 W916 W914 W922 TS1636 TS1630 TS1044 TS1050

Está em conformidade com a Directiva Máquinas 2006/42/CE.

Normas aplicadas: UNI EN ISO 12100:2010 - UNI EN 809:2009

A bomba acima identificada respeita os seguintes requisitos essenciais de segurança e de tutela da saúde, referidos no ponto 1 do anexo I da Directiva Máquinas:

1.1.1 - 1.1.2 - 1.1.3 - 1.1.5 - 1.1.6 - 1.3.1 - 1.3.2 - 1.3.3 - 1.3.4 - 1.5.4 - 1.6.1 - 1.7.1 - 1.7.2 - 1.7.4 - 1.7.4.1 - 1.7.4.2

e a respectiva documentação técnica foi compilada em conformidade com o anexo VII B.

Além disso, o fabricante compromete-se a disponibilizar, mediante pedido adequadamente motivado, uma cópia da documentação técnica referente à bomba, em modos e termos a definir.

A bomba não deve ser colocada em funcionamento até que o sistema no qual tem de ser incorporada seja declarado em conformidade com as disposições das respectivas directivas e/ou normas.

Pessoa autorizada a compilar a documentação técnica Nome: Roberto Menozzi

Morada: INTERPUMP GROUP S.p.A. – Via E. Fermi,  
25 – 42049 S. ILARIO D'ENZA (RE) – Itália

Pessoa autorizada a redigir a declaração: Nome : Eng.º Silvio Corrias

Reggio Emilia 09/2022

Assinatura:













**COPYRIGHT** Il contenuto di questo libretto è di proprietà di INTERPUMP GROUP, ne è vietata la riproduzione e/o la divulgazione, anche parziale, a termini di legge.

**COPYRIGHT** The contents of this booklet are the property of INTERPUMP GROUP. Reproduction and divulgation, in whole or in part, are prohibited by law.

**COPYRIGHT** Le contenu de cette notice appartient à INTERPUMP GROUP : aux termes de la loi il est interdit de le reproduire et/ou de le divulguer, même partiellement.

**COPYRIGHT** Der Inhalt dieser Bedienungsanleitung ist Eigentum von INTERPUMP GROUP. Die auch nur teilweise Reproduktion und/oder Verbreitung ist gesetzlich verboten.

**COPYRIGHT** El contenido del presente manual es propiedad de INTERPUMP GROUP y está legalmente prohibida su reproducción y/o divulgación parcial o total.

**COPYRIGHT** O conteúdo deste livro é de propriedade da INTERPUMP GROUP, e é proibida a sua reprodução e/ou a sua divulgação, mesmo parcial, nos termos da lei.

---

**Le informazioni presenti su questo documento possono essere variate senza preavviso.**

**The information contained in this document may change without notice.**

**Les informations présentes sur ce document peuvent être changées sans besoin de préavis.**

**Die in diesem Dokument enthaltenen Informationen können ohne Vorankündigung geändert werden.**

**La información contenida en el presente documento puede modificarse sin previo aviso.**

**As informações contidas neste documento poderão ser sujeitas a alterações sem aviso prévio.**

---



**INTERPUMP  
GROUP**

AZIENDA CON  
SISTEMA DI GESTIONE  
CERTIFICATO DA DNV  
ISO 9001 • ISO 14001  
ISO 45001

VIA FERMI, 25 42049 S.ILARIO – REGGIO EMILIA (ITALY)  
TEL. +39 – 0522 - 904311 TELEFAX +39 – 0522 – 904444  
E-mail: [info@interpumpgroup.it](mailto:info@interpumpgroup.it) - <http://www.interpumpgroup.it>