

CODE

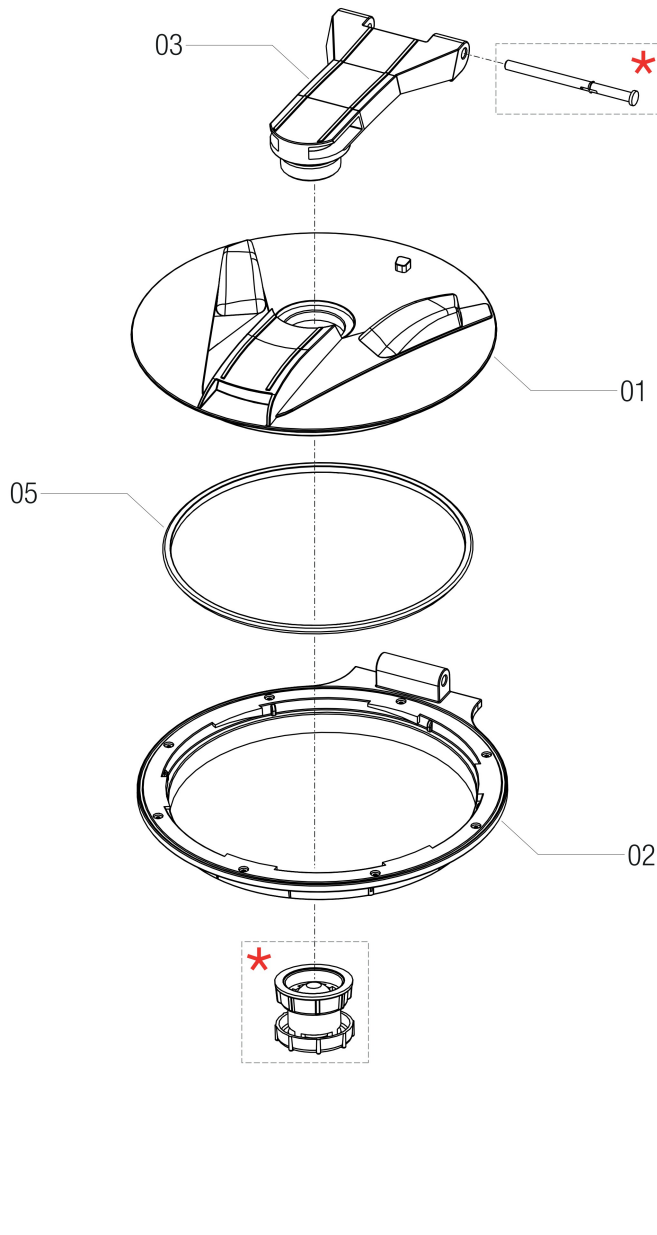
356060

HINGED LID DIAMETER 455 FLAT SURFACE

HINGED TANK LIDS TANK OVERTURNING LID 180°  
Float vent valve



SPARE PARTS



REFERENCE	CODE	DESCRIPTION	REFERENCE	CODE	DESCRIPTION
01	3562060.010	BODY HINGED LID D.455	05	3562060.090	SPECIAL GASKET HINGED LID D.455 NBR
02	3562060.020	RING FOR HINGED LID	07	356060.100	AIR BREATHER KIT
03	3562060.030	ARM FOR HINGED LID RED D.455			