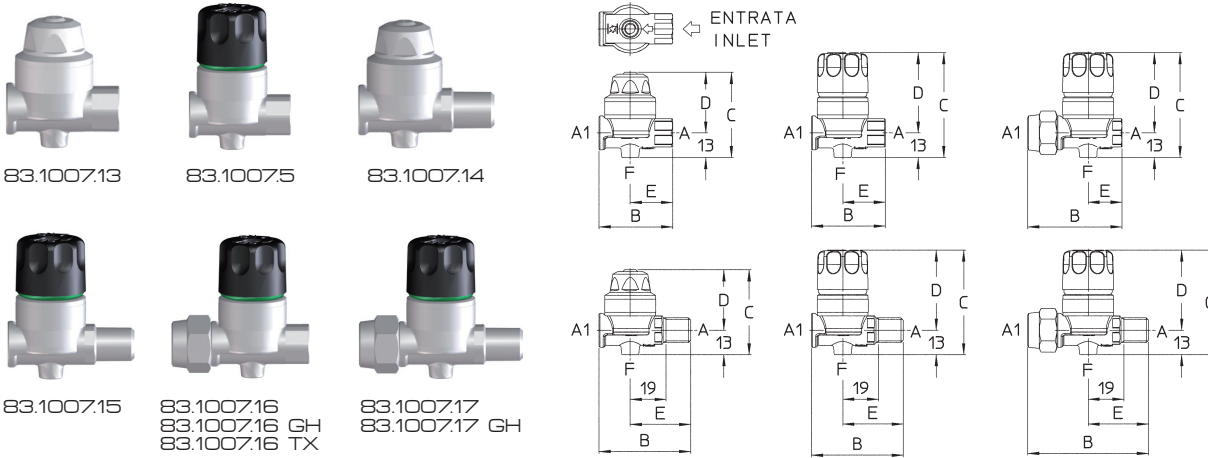




MODULI M83 - GETTI M83 M83 CHECK VALVES - M83 NOZZLES



◀ PAGE 20/47 ▶

Standard nichelati – Membrana antigoccia FPM

Moduli M83:

- 83.1007.13 G1/4F. G1/4F.
- 83.1007.5 G1/4F. G1/4F. con volantino
- 83.1007.14 G1/4M. G1/4F.

Getti M83:

- 83.1007.15 G1/4M. G1/4F. con volantino
- 83.1007.16 G1/4F. G3/8M. con volantino – filtro a fessura - ghiera 716.605.3 per AD/AC
- 83.1007.16 GH G1/4F. G3/8M. con volantino – senza filtro - ghiera 256.605.7 per Ø15
- 83.1007.16 TX G1/4F. G3/8M. con volantino – filtro a fessura - ghiera 256.605.101 per TeeJet® TX
- 83.1007.17 G1/4M. G3/8M. con volantino – filtro a fessura - ghiera 716.605.3 per AD/AC
- 83.1007.17 GH G1/4M. G3/8M. con volantino – senza filtro - ghiera 256.605.7 per Ø15



Pressione di esercizio max.: 30 bar

Peso: 83.1007.13 90g – 83.1007.5 100g – 83.1007.14 95g – 83.1007.15 105g – 83.1007.16 123g – 83.1007.17 137g

Apertura antigoccia: 0.5bar

Materiali: ottone - acciaio inox - FPM

Impiego: su atomizzatori e nebulizzatori a basso volume ed elettrostatici. La versione con volantino è un rubinetto con antigoccia. Il volantino chiuso interrompe il passaggio del fluido.

Standard nickel plated - FKM diaphragm

M83 check valves:

- 83.1007.13 1/4" BSPF. 1/4" BSPF.
- 83.1007.5 1/4" BSPF. 1/4" BSPF. shut off knob
- 83.1007.14 1/4" BSPM. 1/4" BSPF.
- 83.1007.15 1/4" BSPM. 1/4" BSPF. shut off knob

M83 nozzles:

- 83.1007.16 1/4" BSPF. 3/8" BSPM. shut off knob – slotted strainer - cap 716.605.3 for AD/AC
- 83.1007.16 GH 1/4" BSPF. 3/8" BSPM. shut off knob – no strainer - cap 256.605.7 for Ø15
- 83.1007.16 TX 1/4" BSPF. 3/8" BSPM. shut off knob – slotted strainer - cap 256.605.101 for TeeJet® TX
- 83.1007.17 1/4" BSPM. 3/8" BSPM. shut off knob – slotted strainer - cap 716.605.3 for AD/AC
- 83.1007.17 GH 1/4" BSPM. 3/8" BSPM. with shut off knob – no strainer with cap 256.605.7 for Ø15



Max operating pressure: 30 bar (435 psi)

Weight: 83.1007.13 90g (3.2 oz) – 83.1007.5 100g (3.5 oz) – 83.1007.14 95g (3.4 oz) – 83.1007.15 105g (3.7 oz)

83.1007.16 123g (4.3 oz) - 83.1007.17 137g (4.8 oz)

Check valve opens at 0.5 bar (7.0 psi)

Materials: brass – stainless steel – FKM

Use: for agriculture use on low volume and electrostatic sprayers. Knob model is a valve with built in check valve. Knob in closed position stops the flow.

COME SI ORDINA / HOW TO ORDER

CODICE code	GHIERA cap	FILTRO strainer	A	A1	B mm	C mm	D mm	E mm	F	
83.1007.5	-	-	G1/4F. - 1/4" BSPF.	G1/4F. - 1/4" BSPF.	39	52	39	22.5		
83.1007.13	-	-	G1/4F. - 1/4" BSPF.	G1/4F. - 1/4" BSPF.	39	45	32	22.5		
83.1007.14	-	-	G1/4M. - 1/4" BSPM.	G1/4F. - 1/4" BSPF.	49	45	32	32	M6	10
83.1007.15	-	-	G1/4M. - 1/4" BSPM.	G1/4F. - 1/4" BSPF.	49	52	39	32		
83.1007.16	716.605.3	X	G1/4F. - 1/4" BSPF.	G3/8M. - 3/8" BSPM.	50	52	39	18		
83.1007.16 GH	256.605.7	-	G1/4F. - 1/4" BSPF.	G3/8M. - 3/8" BSPM.	50	52	39	18		
83.1007.16 TX	256.605.101	X	G1/4F. - 1/4" BSPF.	G3/8M. - 3/8" BSPM.	50	52	39	18	M6	10
83.1007.17	716.605.3	X	G1/4M. - 1/4" BSPM.	G3/8M. - 3/8" BSPM.	64	52	39	32		
83.1007.17 GH	256.605.7	-	G1/4M. - 1/4" BSPM.	G3/8M. - 3/8" BSPM.	64	52	39	32		



GETTI
NOZZLES



UGELLI
SPRAY TIPS



COMPONENTI
PARTS



CATALOGHI
CATALOGUES



RICAMBI
SPARE PARTS :

83.1007.5
83.1007.13
83.1007.14

83.1007.15
83.1007.16
83.1007.17